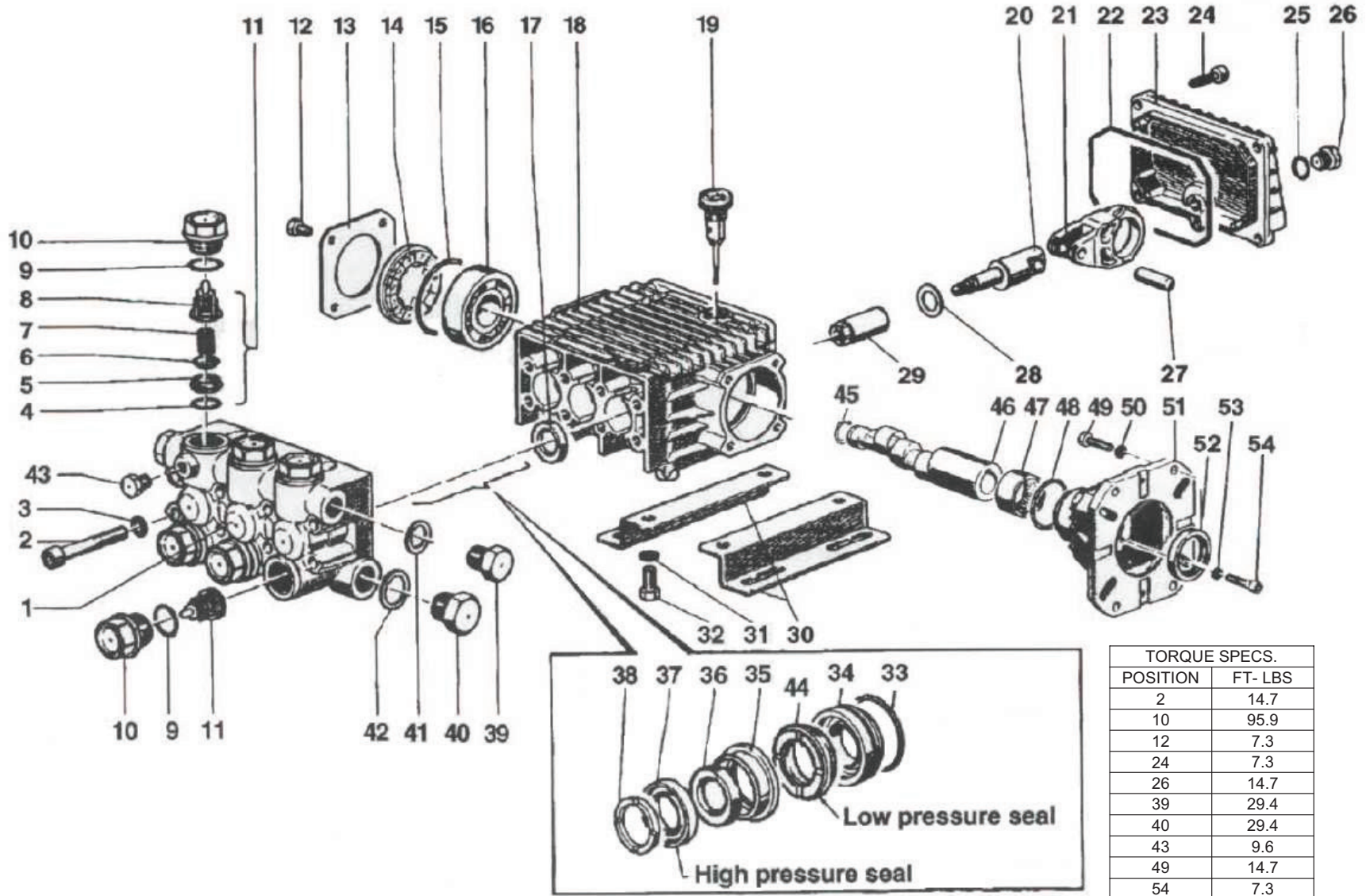


PUMP ASSEMBLY (3-0350)



Call for Parts 888-279-9274

PUMP ASSEMBLY

ITEM	DESCRIPTION	PART #	QTY	ITEM	DESCRIPTION	PART #	QTY
1	MANIFOLD	46-1391	1	28	WASHER	46-1395	3
2	BOLT	27-8439	8	29	PLUNGER, 13 mm	46-1396	3
3	WASHER	29-0154	8	30	RAIL	-	2
4	O-RING (SEE KIT 70-0028)	25-0053	6	31	WASHER	-	4
5	VALVE SEAT (SEE KIT 70-0028)	SEE KIT	6	32	NUT	-	4
6	VALVE PLATE (SEE KIT 70-0028)	SEE KIT	6	33	O-RING (SEE KIT 70-0552)	SEE KIT	3
7	VALVE SPRING (SEE KIT 70-0028)	SEE KIT	6	34	PACKING RETAINER (SEE KIT 70-0552)	SEE KIT	3
8	VALVE CAGE (SEE KIT 70-0028)	SEE KIT	6	35	INTERMEDIATE RING (SEE KIT 70-0552)	SEE KIT	3
9	O-RING	25-0012	6	36	PACKING (SEE KIT 70-0552 & 70-0553)	SEE KIT	3
10	VALVE PLUG	39-0071	6	37	PACKING (SEE KIT 70-0552 & 70-0553)	SEE KIT	3
11	VALVE ASSEMBLY (SEE KIT 70-0028)	46-0565	6	38	HEAD RING (SEE KIT 70-0552)	SEE KIT	3
12	BOLT	27-8000	4	39	CAP SCREW	39-0018	1
13	COVER/CRANKCASE CLOSED	46-0084	1	40	CAP SCREW	39-0019	1
14	SPACER	46-0574	1	41	WASHER	28-0600	1
15	O-RING	25-0060	1	42	WASHER	46-1402	1
16	BALL BEARING	46-1392	1	43	CAP SCREW	39-0032	1
17	OIL SEAL (SEE KIT 70-0391)	26-0046	3	44	SEAL, LOW PRESS (SEE KIT 70-0552 & 70-0553)	SEE KIT	1
18	CRANKCASE	46-0570	1	45	RETAINING RING	46-0104	1
19	OIL DIPSTICK	46-0143	1	46	CRANKSHAFT	46-1404	1
20	PISTON GUIDE	46-1393	3	47	ROLLER BEARING	48-0040	1
21	CONNECTING ROD	46-0572	3	48	O-RING	25-0316	1
22	O-RING	46-1394	1	49	BOLT	-	4
23	REAR COVER	46-0571	1	50	WASHER	-	4
24	BOLT	24-8401	5	51	GAS FLANGE	38-0038	1
25	O-RING	25-0014	1	52	OIL SEAL	26-0181	1
26	CAP SCREW	39-0017	1	53	WASHER	29-0153	4
27	PIN	43-0079	3	54	SCREW	27-8404	4

REPLACEMENT KITS

KIT #	DESCRIPTION	ITEMS	# OF ASSEMBLIES	# OF CYLINDERS
70-0028	KIT - VALVE	4,5,6,7,8,11	6,6,6,6,6,6	3
70-0391	KIT - OIL SEAL	17	3	3
70-0552	KIT - PRESSURE SEAL	33,34,35,36,37,38,44	1,1,1,1,1,1,1	1
70-0553	KIT - GENERAL PRESSURE SEAL	36,37,44	3,3,3	3

Call for Parts 888-279-9274